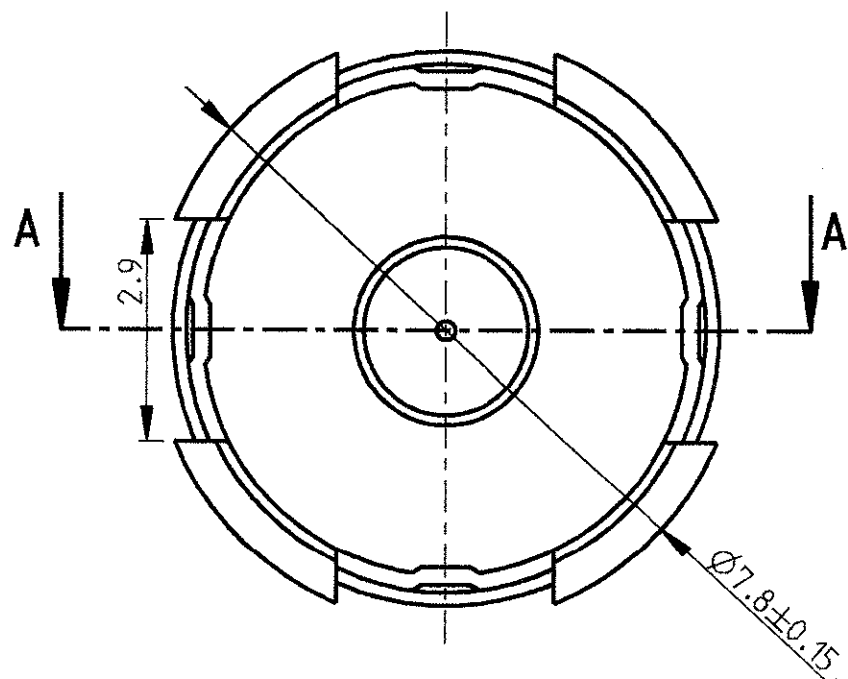
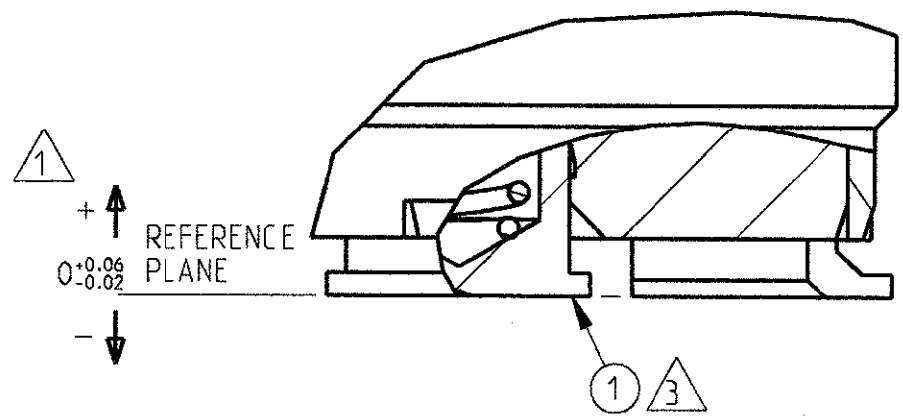


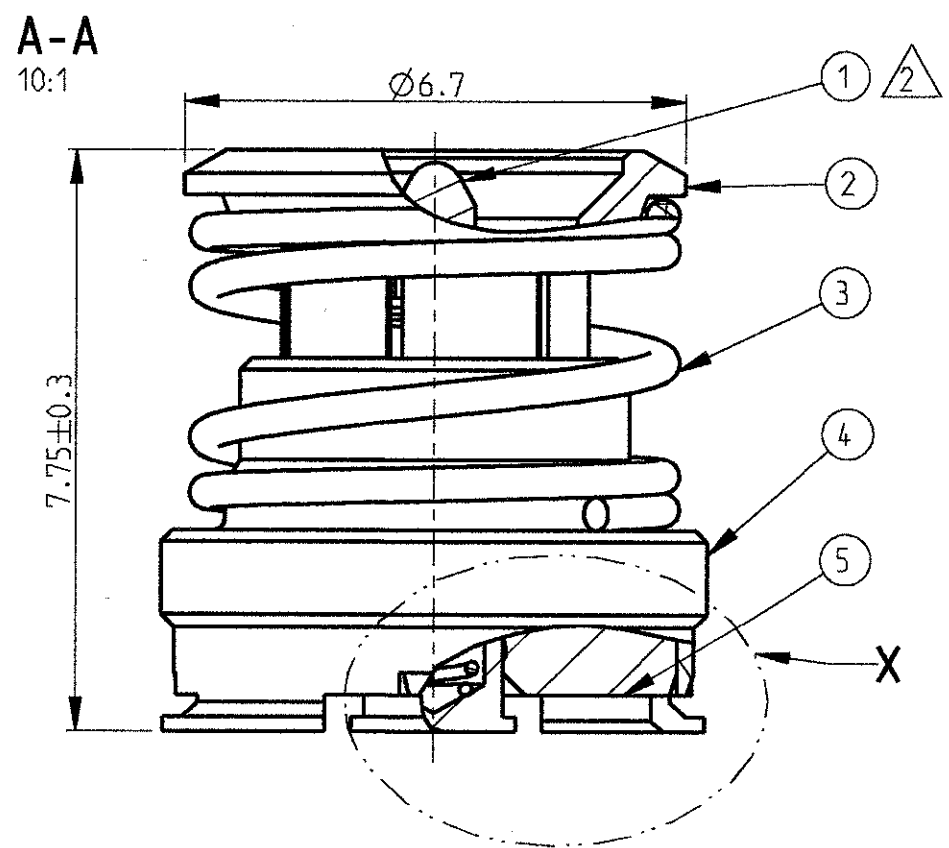
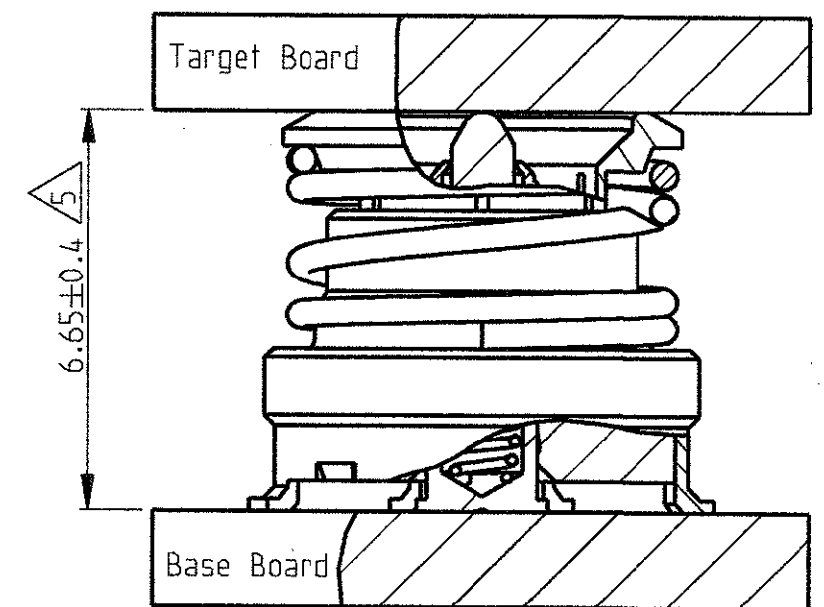
LOC	DIST	REVISIONS			
P	LTR	DESCRIPTION	DATE	DWN	APVD
GW	00				



X
16:1



MATED BETWEEN BOARDS



<small>THIS DRAWING IS A CONTROLLED DOCUMENT FOR TYCO ELECTRONICS CORPORATION IT IS SUBJECT TO CHANGE AND THE CONTROLLING ENGINEERING ORGANIZATION SHOULD BE CONTACTED FOR THE LATEST REVISION.</small>		DWH R. Luppi	03JAN05		Tyco Electronics
		CHK D. Bozzer	04JAN05		Oostkamp - Belgium
DIMENSIONS: mm		TOLERANCES UNLESS OTHERWISE SPECIFIED: 0 PLC ±0.2 1 PLC ±0.2 2 PLC ±0.1 3 PLC ± 4 PLC ± ANGLES ±2°		NAME BOARD-TO-BOARD CONNECTOR 6.65 MM HEIGHT	
		PRODUCT SPEC 108-71060		SIZE CAGE CODE DRAWING NO RESTRICTED TO A3 00779 C=619135	
MATERIAL -		FINISH -		CUSTOMER DRAWING	
		WEIGHT -		SCALE 8:1 SHEET 1 OF 3 REV A2	

LOC DIST
GW 00

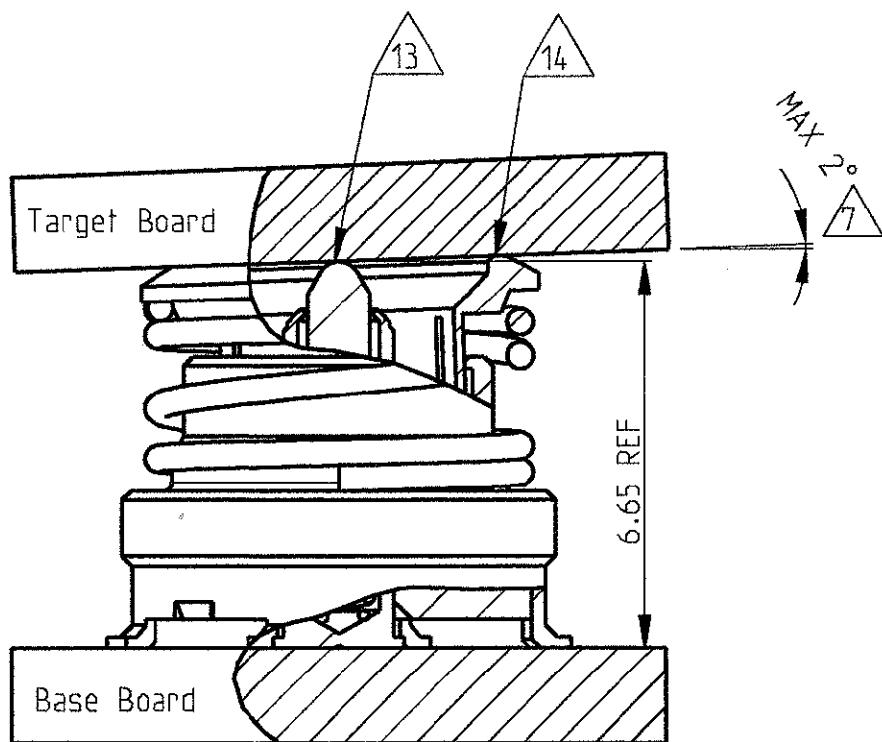
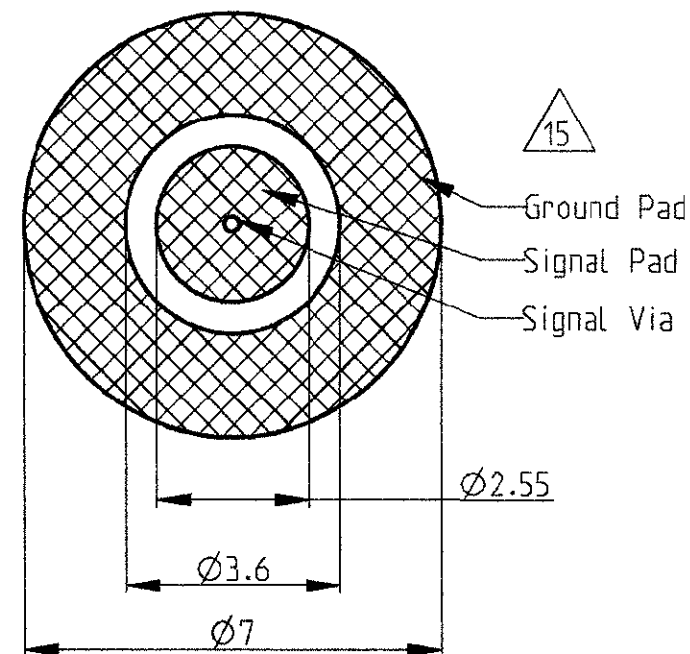
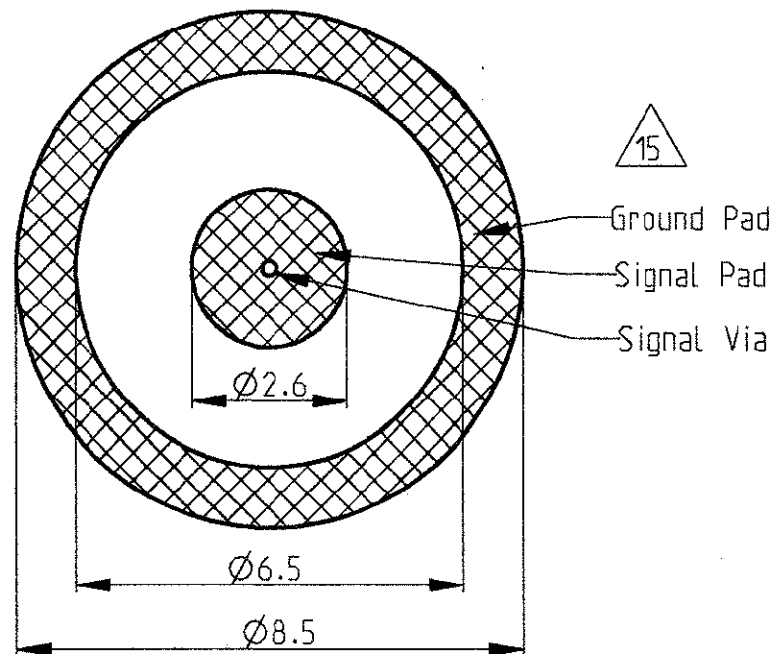
REVISIONS

P	LTR	DESCRIPTION	DATE	DWN	APVD

- 1 POSITION OF CENTER CONTACT
- 2 PLATING 0.15 μm Au OVER NiP
- 3 PLATING MIN 0.3 μm Au OVER NiP.
- 4 1 CONNECTOR PACKED IN PLASTIC BAG
- 5 DISTANCE BETWEEN PRINTED CIRCUIT BOARDS
- 6 MISALIGNMENT BETWEEN CONNECTOR AXIS AND TARGET LAYOUT ON TARGET BOARD: MAX 0.8 mm
- 7 ANGLE BETWEEN PRINTED CIRCUIT BOARDS

8 RECOMMENDED LAYOUT ON BASE BOARD

9 RECOMMENDED TARGET LAYOUT ON TARGET BOARD

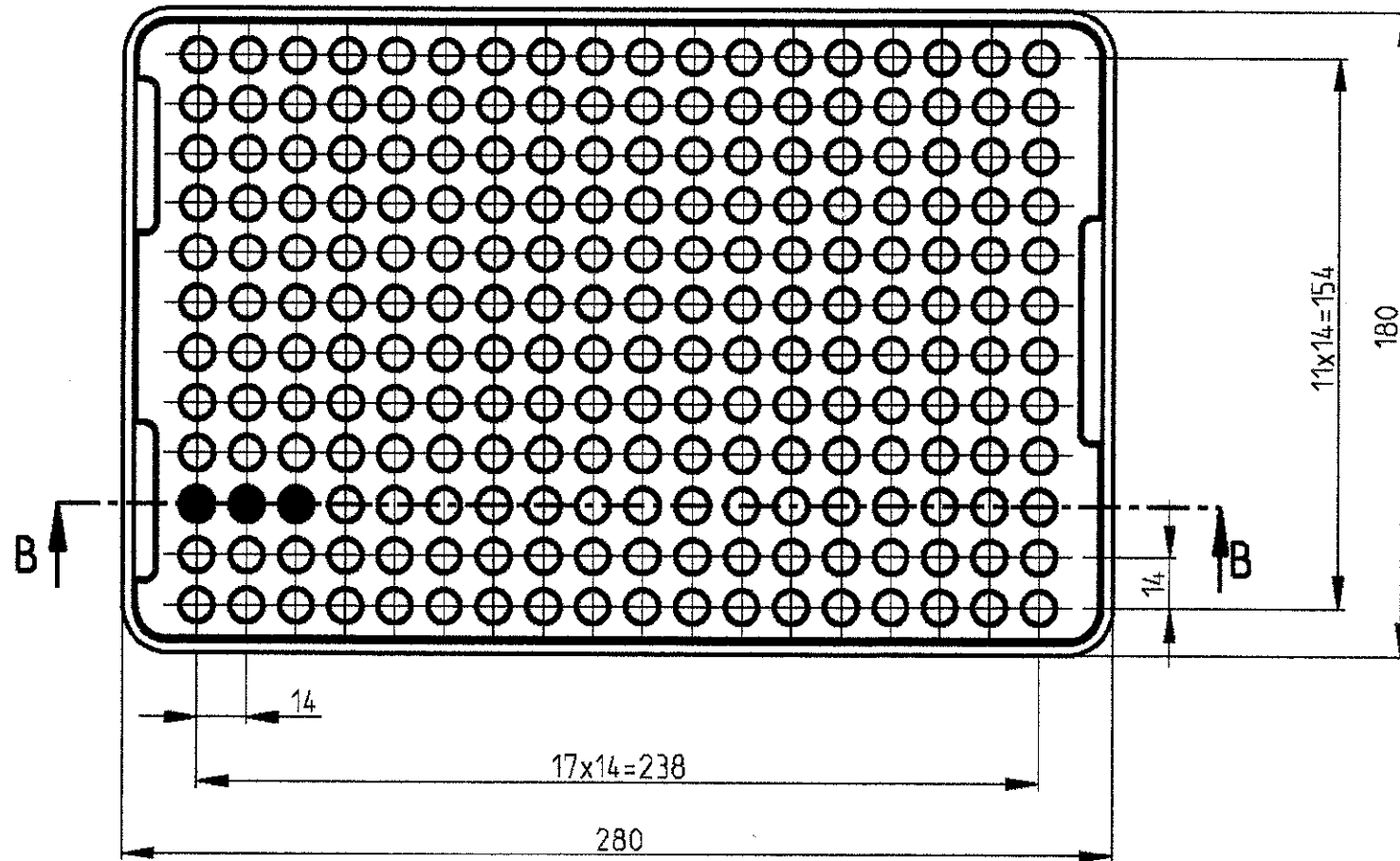
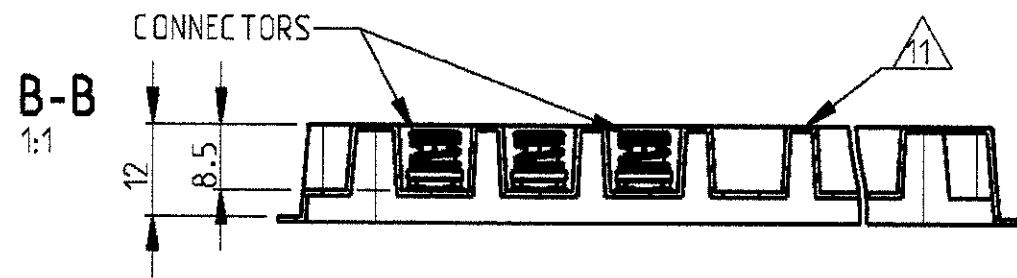


1	1	5	DIELECTRIC	PCT / PEEK	
1	1	4	OUTER SHELL	CuZn	2
1	1	3	SPRING	STAINLESS STEEL	
1	1	2	CONTACT RING	CuSn	2
1	1	1	CENTER CONTACT ASSEMBLY	CuZn, STAINLESS STEEL	2 3
5--1	-1	ITEM	DESCRIPTION	MATERIAL	PLATING
10	4	ORDER N°	ORDER N°		

THIS DRAWING IS A CONTROLLED DOCUMENT FOR TYCO ELECTRONICS CORPORATION. IT IS SUBJECT TO CHANGE AND THE CONTROLLING ENGINEERING ORGANIZATION SHOULD BE CONTACTED FOR THE LATEST REVISION.

DWN R. Luppi	03JAN05	tyco Electronics	Tyco Electronics Oostkamp - Belgium			
CHK D. Bozzer	04JAN05		NAME BOARD-TO-BOARD CONNECTOR 6.65 MM HEIGHT			
APVD -	-	PRODUCT SPEC 108-71060	SIZE A3	CAGE CODE 00779	DRAWING NO C=619135	RESTRICTED TO -
DIMENSIONS: mm		TOLERANCES UNLESS OTHERWISE SPECIFIED:		SCALE 8:1		SHEET 2 OF 3
MATERIAL -		FINISH -		CUSTOMER DRAWING		REV A2

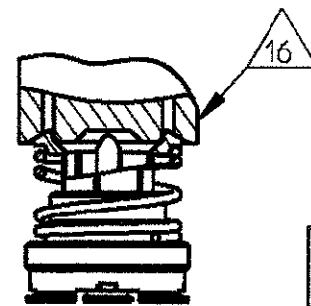
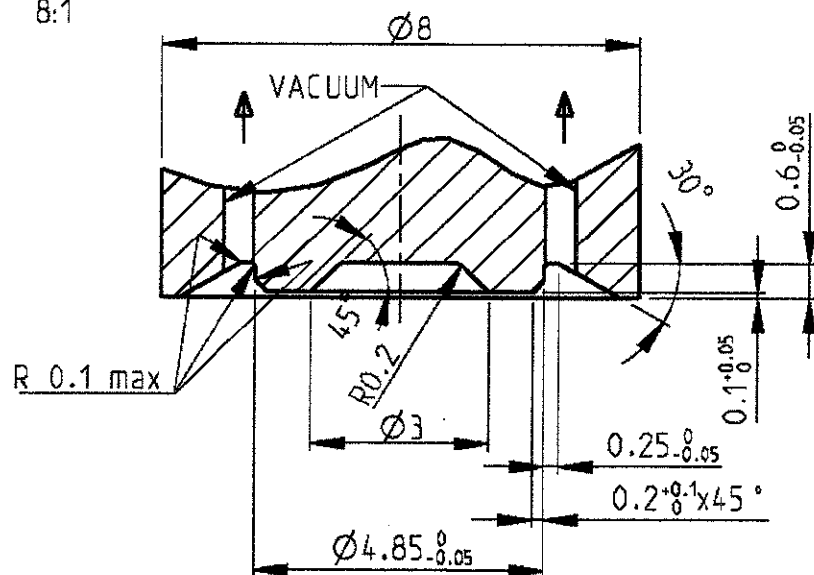
LOC	DIST	REVISIONS				
P	LTR	DESCRIPTION	DATE	DWN	APVD	
GW	00					



- △10 PACKAGING:
 -216 CONNECTORS PER TRAY
 -10 TRAYS PER SHIPPING BOX
 -SHIPPING BOX DIMENSIONS (LxBxH): 287x187x200
- △11 ANTISTATIC MATERIAL
- 12 - ALTERNATIVE PACKAGING IN TAPE AND REEL
- △13 CONTACT FORCE FOR CENTER CONDUCTOR:
 F MAX. = 2.8 N (Total Length compressed at 6.25 mm)
- △14 CONTACT FORCE FOR CONTACT RING:
 F MAX. = 5.3 N (Total Length compressed at 6.25 mm)
- △15 RECOMENDED PCB CHARACTERISTICS :
 - PLATING Au , SURFACE ROUGHNESS Rz4 MAX.
 - PCB MATERIAL FR4
 - PCB THICKNESS MIN. 0.8 mm
- △16 RECOMENDED NOZZLE DESIGN

NOZZLE DETAIL 8:1

NOZZLE DETAIL 3:1



<small>THIS DRAWING IS A CONTROLLED DOCUMENT FOR TYCO ELECTRONICS CORPORATION. IT IS SUBJECT TO CHANGE AND THE CONTROLLING ENGINEERING ORGANIZATION SHOULD BE CONTACTED FOR THE LATEST REVISION.</small>		DWN R. Luppi	03JAN05	tyco Electronics	Tyco Electronics
		CHR D. Bozzer	04JAN05		Oostkamp - Belgium
DIMENSIONS: mm		APVD	-	NAME BOARD-TO-BOARD CONNECTOR 6.65 MM HEIGHT	
TOLERANCES UNLESS OTHERWISE SPECIFIED: 0 PLC ±0.05 1 PLC ±0.05 2 PLC ±0.05 3 PLC ± 4 PLC ± ANGLES ±2°		PRODUCT SPEC	108-71060		
MATERIAL -		APPLICATION SPEC	-	SIZE	A3
FINISH -		WEIGHT	-	CAGE CODE	00779
		CUSTOMER DRAWING		DRAWING NO	©-619135
		SCALE	1:1	SHEET	3 OF 3
		REV	A2		